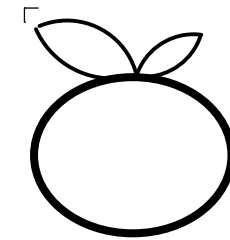


Rev	Date	Name	Description
XA1	03Mar2021	WA2DFI	Draw from N8UR original
XA2	08Mar2021	WA2DFI	Update properties
XA3	08Mar2021	WA2DFI	Update properties
XA4	08Mar2021	WA2DFI	Update properties
XA5	09Mar2021	WA2DFI	Remove parts to reduce size
XA6	11Mar2021	WA2DFI	Decal name updates
XA7	11Mar2021	WA2DFI	Change JSON pkg, add back LEDs, swap SI pins 8/9.
XA8	15Mar2021	WA2DFI	Fix errors
XA9	19Mar2021	WA2DFI	More pin swap
XA10	19Mar2021	WA2DFI	More pin swap
XA11	25Mar2021	WA2DFI	Rework J11, split RESET_INn/GPS_RESETn
XA12	26Mar2021	WA2DFI	Change J14 to SMA TH RA
XA13	11Jun2021	WA2DFI	Change Osc to Vectron
XA14	9Jul2021	WA2DFI	Combine J3, J8, GPS UART pins to new header J8
XA15	14Jul2021	WA2DFI	Waiting for new changes
A	15Jul2021	WA2DFI	Relese to A

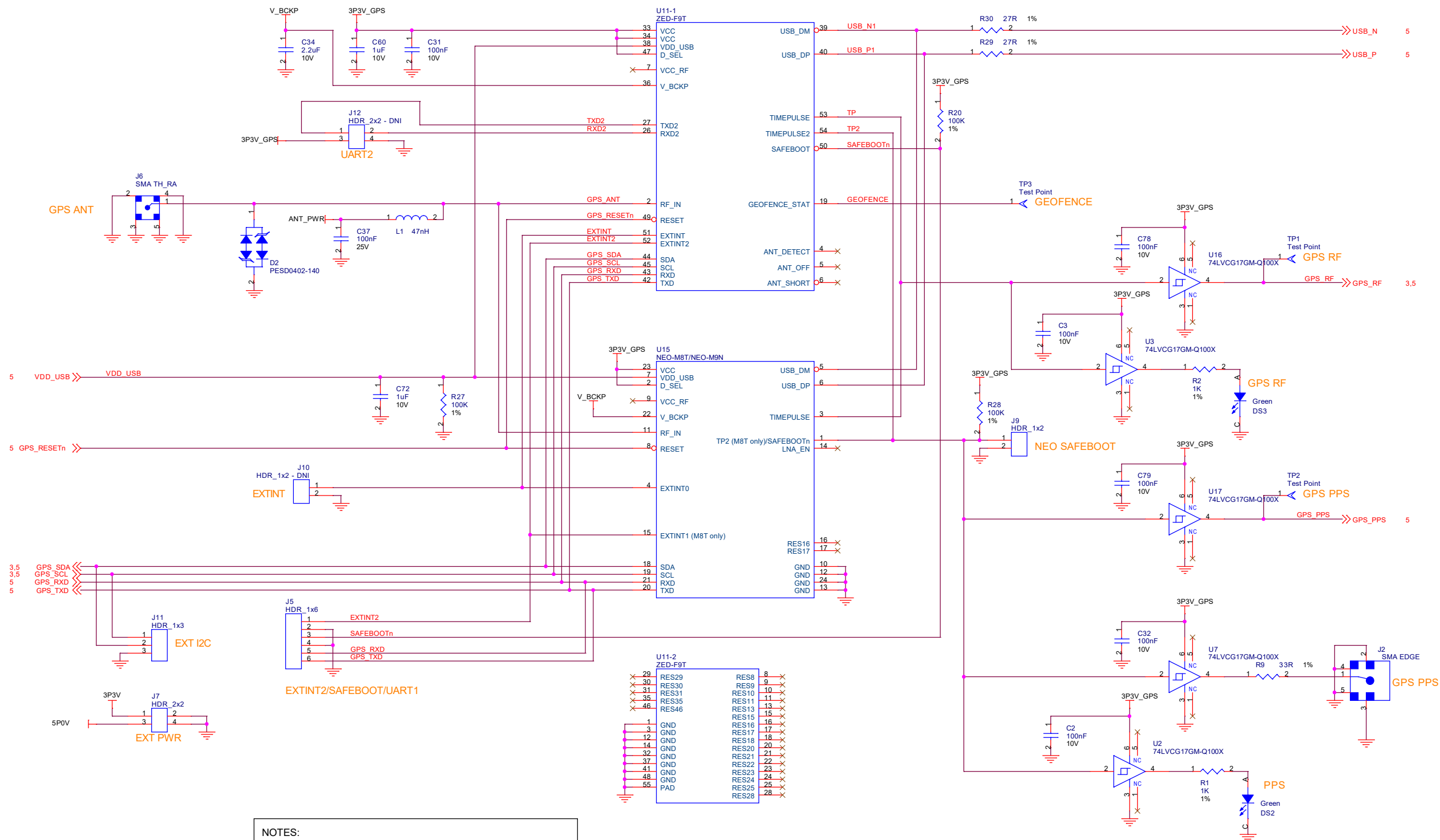
Pg	Contents
1	Cover
2	GPS Units
3	Clock Osc and Synth
4	Power supplies
5	I/O connections

COMPL
X
X
X
X
X



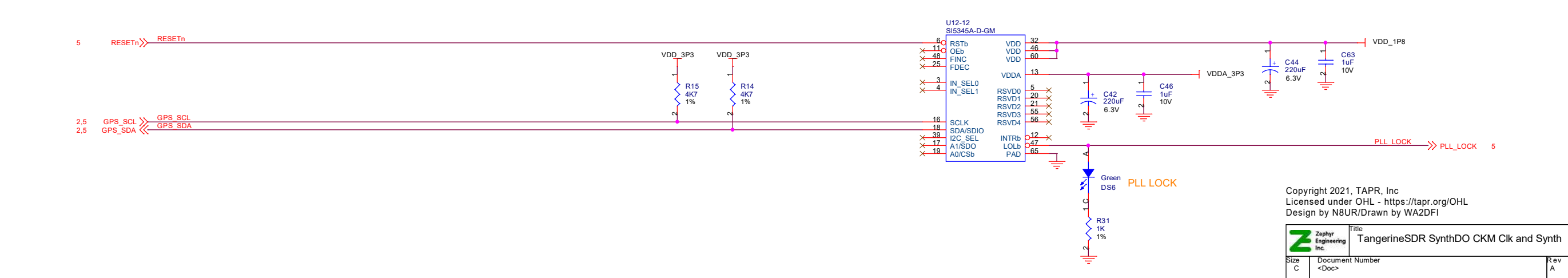
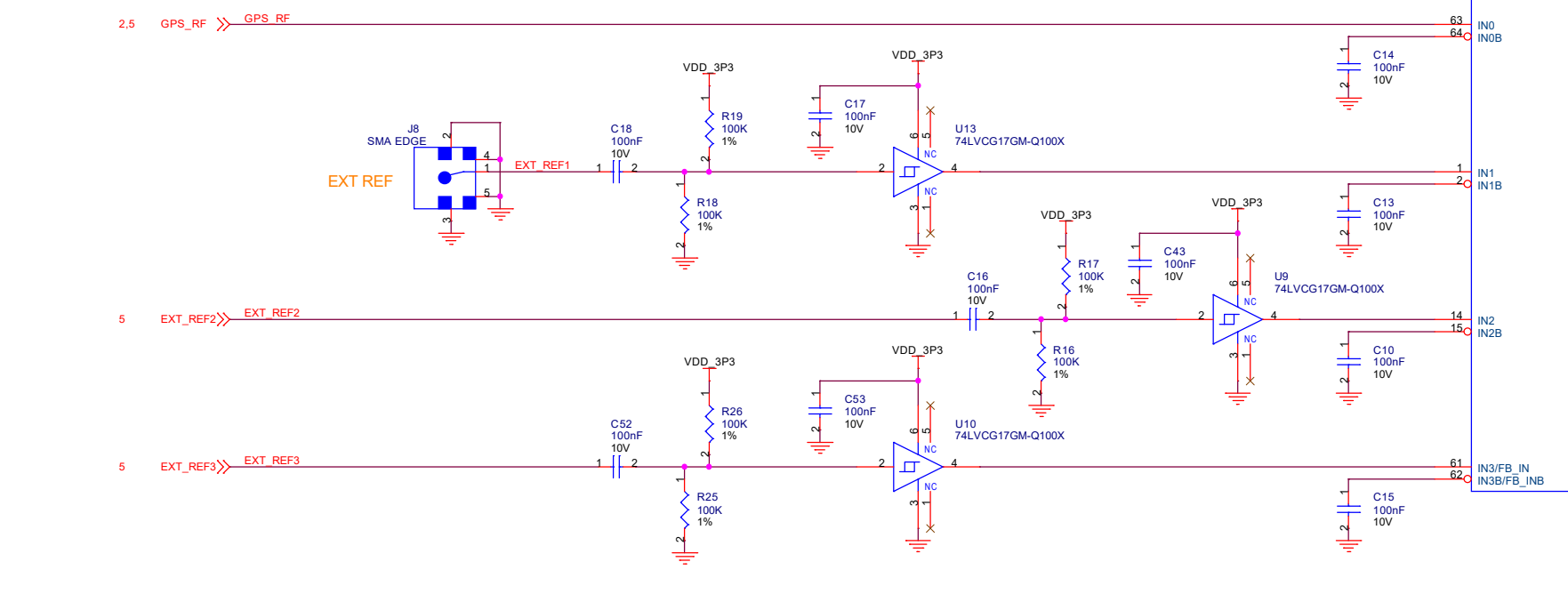
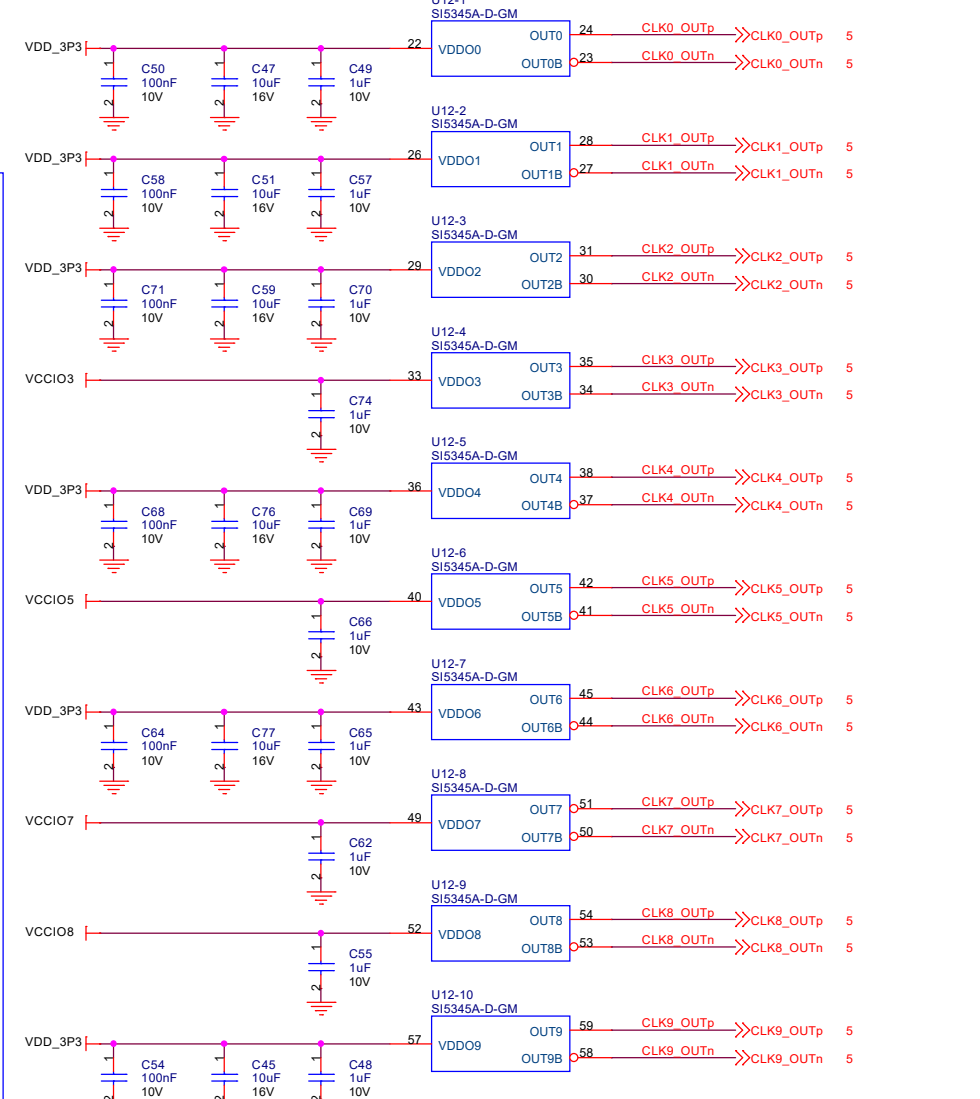
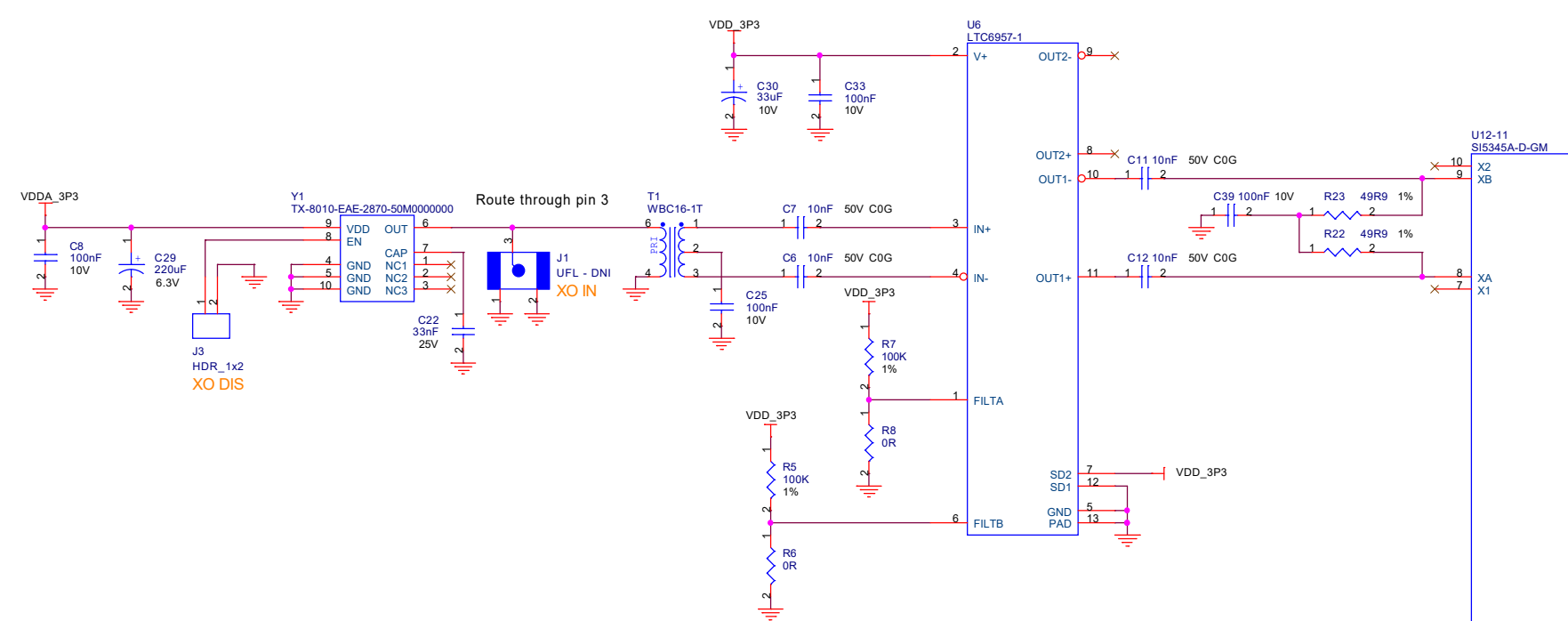
Copyright 2021, TAPR, Inc
Licensed under OHL - <https://tapr.org/OHL>
Design by N8UR/Drawn by WA2DFI

Size C	Document Number <Doc>	Title TangerineSDR SynthDO CKM	Rev A
Date: Friday, September 03, 2021		Sheet 1 of 5	



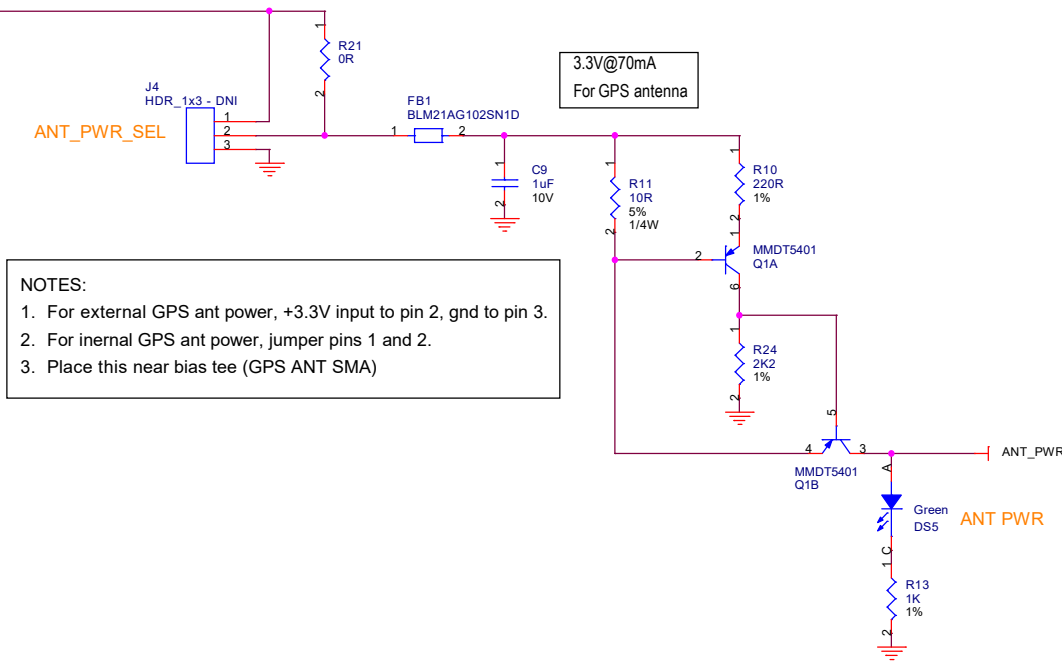
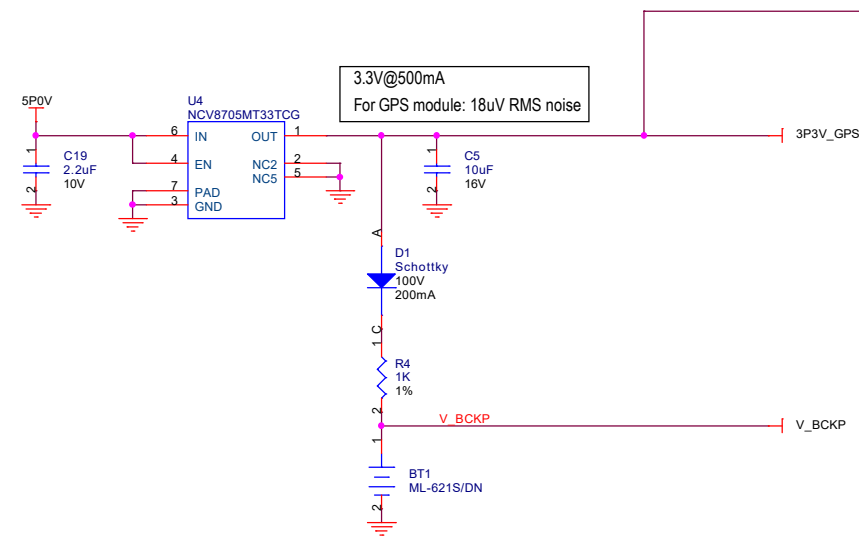
- NOTES:
1. Install one: ZED-F9T or NEO-M8T/NEO-M9N
 2. GPS_ANT traces are 50 ohm microstrip
 3. Default I2C address = 0x42
 4. SAFEBOOTn and TP on same pin for NEO modules
 5. EXTINT2 and UART2 only available for ZED-F9N and NEO-M8T

Copyright 2021, TAPR, Inc
 Licensed under OHL - <https://tapr.org/OHL>
 Design by N8UR/Drawn by WA2DFI

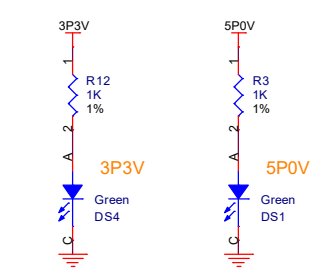
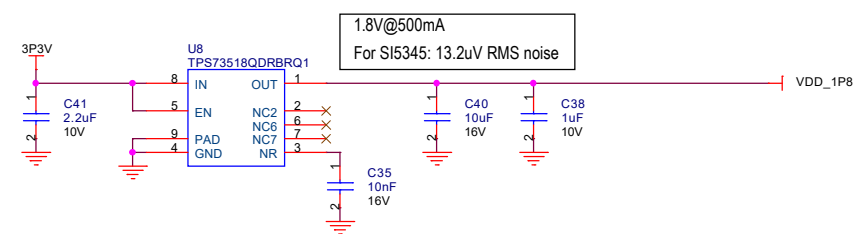
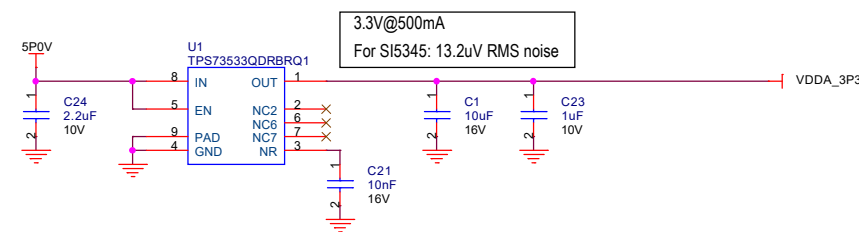
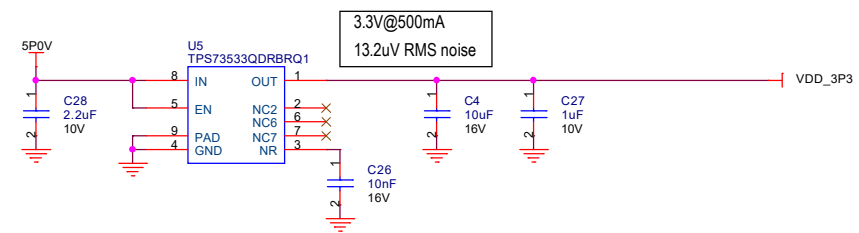


Copyright 2021, TAPR, Inc
 Licensed under OHL - <https://tapr.org/OHL>
 Design by N8UR/Drawn by WA2DFI

Z Zephyr Engineering Inc.	Title TangerineSDR SynthDO CKM Clk and Synth	
	Size C	Document Number <Doc>
Date: Friday, September 03, 2021	Sheet 3 of 5	Rev A

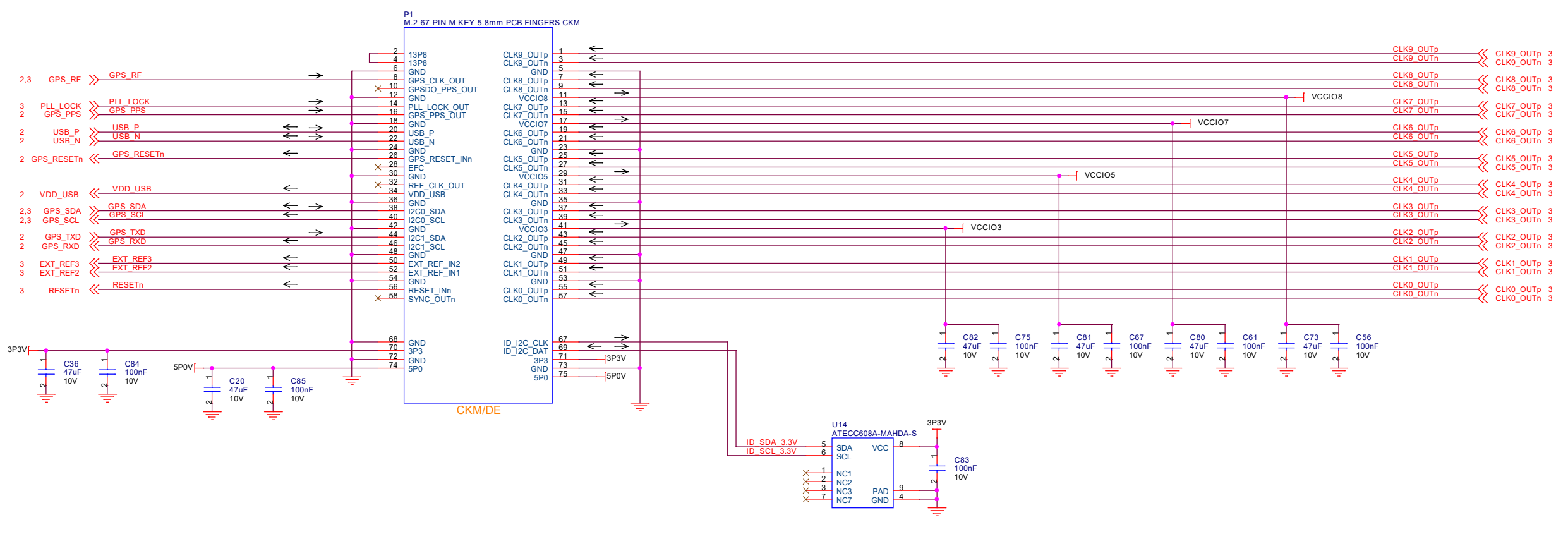


NOTES:
 1. For external GPS ant power, +3.3V input to pin 2, gnd to pin 3.
 2. For internal GPS ant power, jumper pins 1 and 2.
 3. Place this near bias tee (GPS ANT SMA)



Copyright 2021, TAPR, Inc
 Licensed under OHL - <https://tapr.org/OHL>
 Design by N8UR/Drawn by WA2DFI

Zephyr Engineering Inc.		Title TangerineSDR SynthDO CKM Power	
Size C	Document Number <Doc>	Rev A	
Date: Friday, September 03, 2021	Sheet 4	of 5	



Copyright 2021, TAPR, Inc
 Licensed under OHL - <https://tapr.org/OHL>
 Design by N8UR/Drawn by WA2DFI

		Title TangerineSDR SyntDO CKM M.2 Connector	
Size	Document Number	Rev	
C	<Doc>	A	
Date:	Friday, September 03, 2021	Sheet	5 of 5